



## SPECIFICATION SHEET

### UMACABLE HIGH QUALITY USB 3.1 TYPE C FEMALE TO FEMALE PANEL MOUNT CABLE

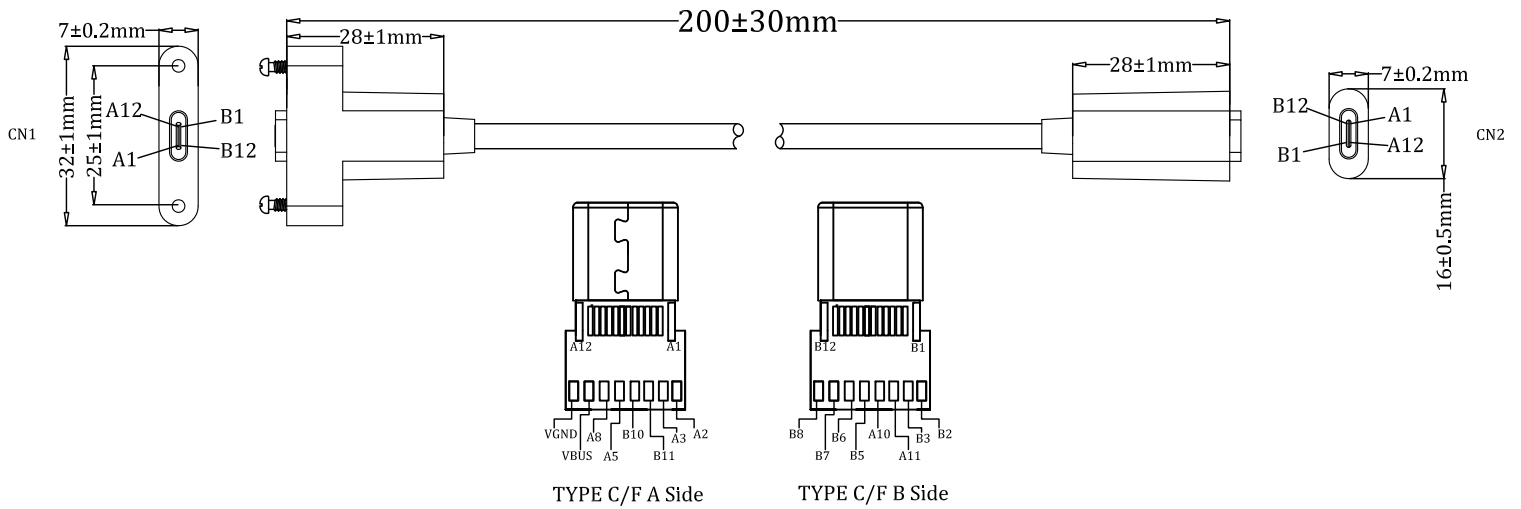
ITEM NO.: UMPM6201



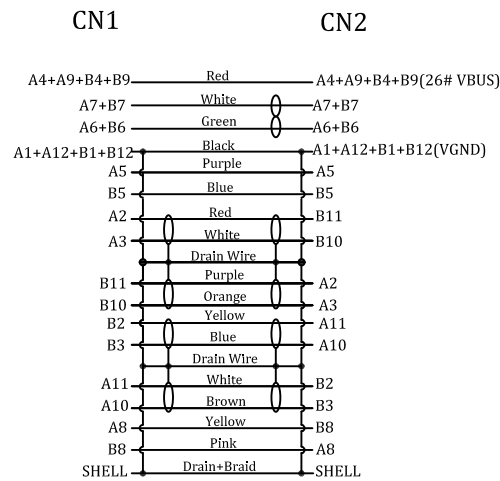
#### KEY FEATURES :

- Super Speed USB 3.1 Type C (USB-C) Female to Female Panel Mount Cable
- The screw design helps to connect the device tightly
- Convenient way to combine two USB Type C cables through a panel without any signal loss
- Ultra-Fast Data Transfer/Sync (up to 10 Gbps), also support USB quick charging up to 5V/3A, and high performance video
- Flexible PVC jacket, Foil and braid shielding, and the twisted pair construction make a better performance
- Lifetime Warranty

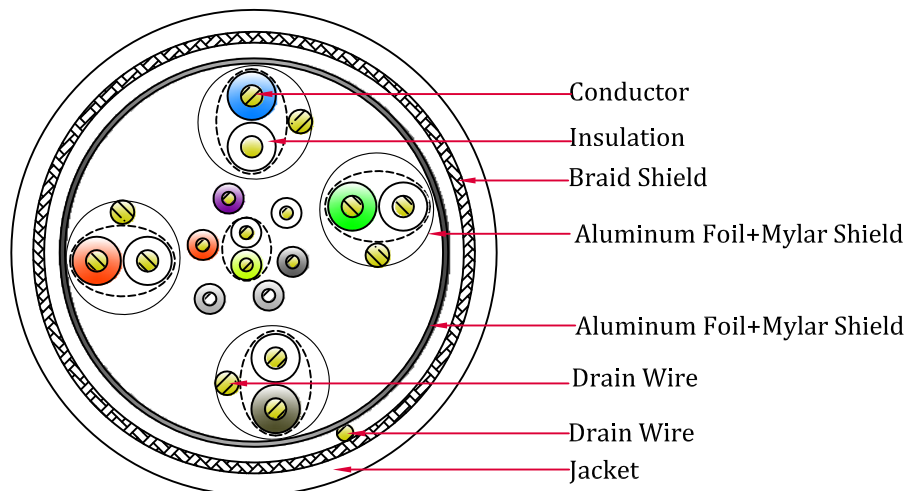
# UMACABLE HIGH QUALY USB 3.1 TYPE C FEMALE TO FEMALE PANEL MOUNT CABLE



## Diagram



## Construction



# UMACABLE HIGH QUALITY USB 3.1 TYPE C FEMALE TO FEMALE PANEL MOUNT CABLE

## Electrical Characteristics:

---

Nominal Velocity of Propagation:	10Gbps
Propagation Delay:	5.2ns/m(Max), 26ns/cable
Skew:	20ps/3.5m(max)
Dielectric Strength:	AC 500V/1 minute
Insulation Resistance:	10MΩ

## Conductor 1 (4 pairs)

---

Conductor Type:	34AWG Tinned Copper
Insulation:	Foamed PE
Drain Wire:	34AWG Tinned Copper
Shield:	Aluminum Foil+Mylar 100% Coverage

## Conductor 3 (4 cores)

---

Conductor Type:	32AWG Tinned Copper
Insulation:	HDPE

## Connectors

---

Connector Type:	USB 3.1 Type C Female
PIN Construction:	Phosphor Copper
Plating:	Nickel
Injection:	45P PVC

## Overall

---

Foil Shield:	Aluminum Foil+Mylar 100% Coverage
Braided Shield:	16/9/0.08 Bare Copper
Jacket:	PVC
OD:	4.2±0.2mm

## Physical Characteristics:

---

Voltage Rating:	30V
Maximum Bend Radius:	90mm
Temperature Rating:	80°C
Approvals:	RoHS Compliant
Package type:	PE bag, Zip bag, Box, Hang card, Blister

## Conduct 2 (1 pair)

---

Conductor Type:	32AWG Tinned Copper
Insulation:	HDPE
Shield:	Aluminum Foil+Mylar

## Conduct 4 (2 cores)

---

Conductor Type:	26AWG Tinned Copper
Insulation:	HDPE
Shield:	Aluminum Foil+Mylar

## Customized Parameters

---

Guage:	AWG 34/32/26
Length:	0.2m
Color:	Black or Customized
Ferrite Core:	Customized
Nylon Mesh:	Customized
Package type:	PE bag, Zip bag, Box, Hang card, Blister